

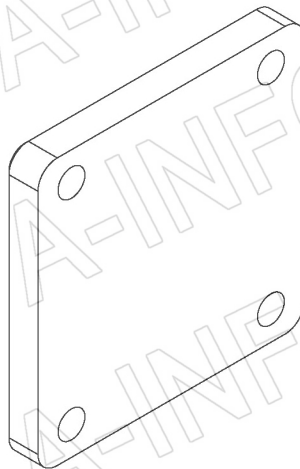
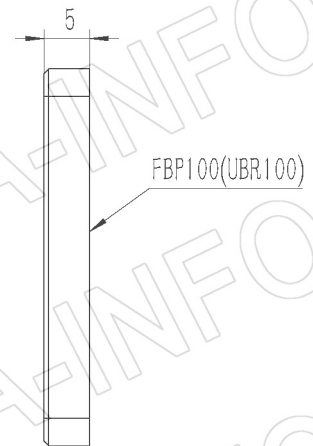
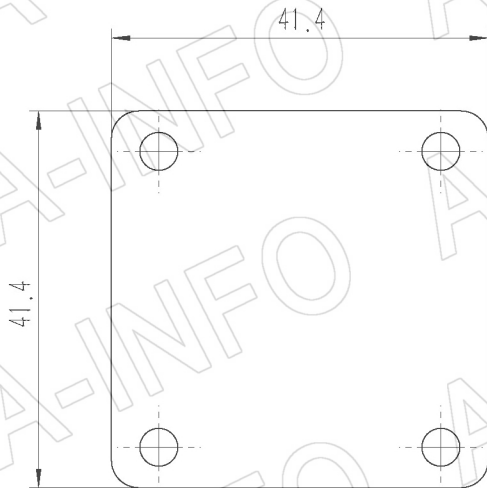
For reference only. See data sheet for the detailed specifications.

## Technical Specification

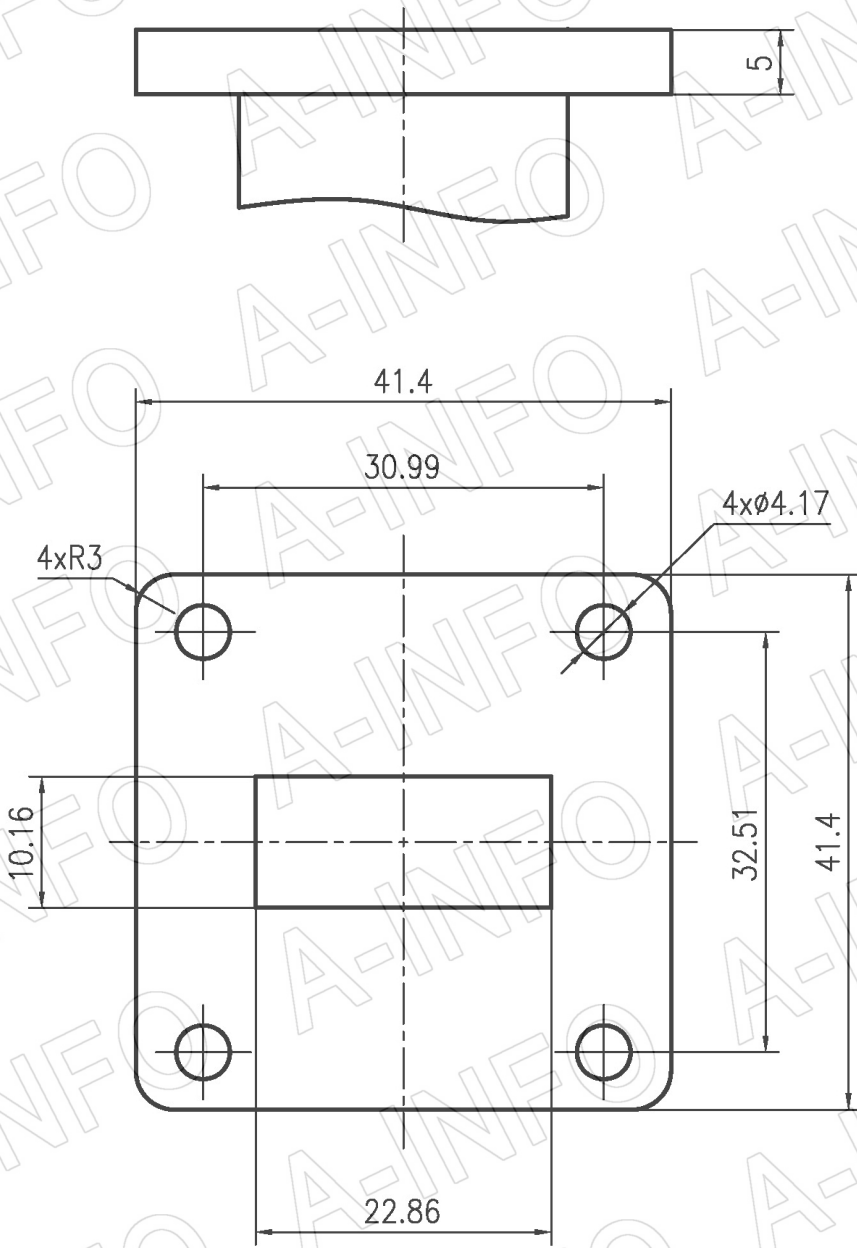


EIA WR	WR90
Freq. Range(GHz)	8.2 – 12.4
Thickness(mm)	5
Flange	FBP100(UBR100)
Material	Cu
Finish	Gold Plated
Size(mm)	5 x 41.4 x 41.4
Net Weight(Kg)	0.07 Around

## Outline Drawing (Size: mm)



## Flange Drawing (Size: mm)



### FBP100

AINFO Inc.

Page 2 of 2

China(Beijing): Tel: (+86) 10-6266-7326,  
China(Chengdu): Tel: (+86) 28-8519-2786,  
USA: Tel: (+1) 949-639-9688,

(+86) 10-6266-7327 Fax: (+86) 10-6266-7379  
(+86) 28-8519-3044 Fax: (+86) 28-8519-3068  
(+1) 949-639-9608 Fax: (+1) 949-639-9670

Website: [www.ainfoinc.com](http://www.ainfoinc.com)  
Email: [sales@ainfoinc.com](mailto:sales@ainfoinc.com)